

结构特点 Design features

- 内装、单端面、金属波纹管、平衡型、静止式密封；
- 拨叉结构，任意旋向，压力均匀，结构简单、紧凑，安装方便，泄漏点少，密封性能可靠；
- Internally mounted, single face, metal bellows, balanced, static type seal.
- Shifting fork structure, any rotation direction, compact construction. It can be mounted conveniently.

材料 Materials(to DIN24960)

- 旋转环 Rotary Ring: A、Q12
- 静止环 Stationary Ring: Q1
- 辅助密封 Auxiliary Seal: G
- 波纹管 Bellows: Y、M、M6
- 其他结构件材料 Other Parts: G、G1、T4、M、M6

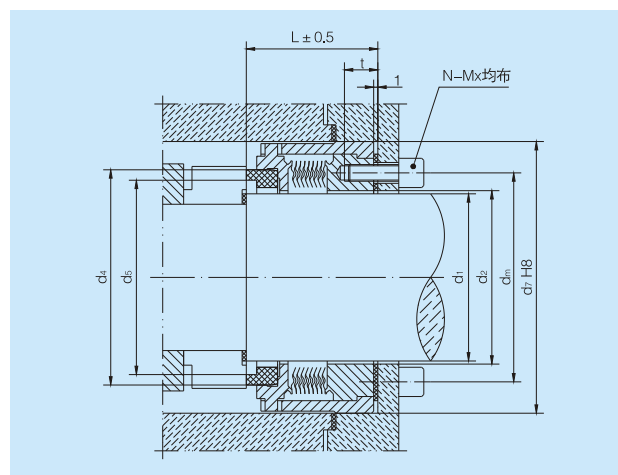


适用范围 Operating limits

- 压力 Pressure: $\leq 2.5\text{MPa}$
- 温度 Temperature: $-20\sim 400^\circ\text{C}$
- 线速度 Speeds: $\leq 50\text{m/sec}$
- 粘度 Viscosity: $\leq 1.0\text{Pa}\cdot\text{s}(1000\text{cp})$ 软对硬(Soft VS Hard)
 $\leq 3.5\text{Pa}\cdot\text{s}(3500\text{cp})$ 硬对硬(Hard VS Hard)

介质 Medium

油、水、盐、有机溶剂高温流体及其它弱腐蚀性溶液。
Oil, water, salt, organic solvent, high temperature fluid and other corrosive fluid, etc.



型号Model	d ₁	d ₂	d _m	d ₄	d ₅	d ₇	L	t	N-Mx
CN MB65-19	16-19	20.5	29	30.3	25.3	45.0	33.5	6	4-M4
CN MB65-24	20-24	25.5	35	38.8	33.8	49.0	33.5	6	4-M4
CN MB65-30	25-30	31.5	40	43.6	38.6	55.0	34.5	6	6-M4
CN MB65-35	31-35	36.0	45	45.8	40.8	59.0	33.0	6	6-M4
CN MB65-40	36-40	41.0	50	51.5	46.5	65.0	30.5	6	6-M4
CN MB65-45	41-45	46.0	55	55.2	50.2	69.0	35.5	6	6-M4
CN MB65-51	46-51	52.0	63	64.7	59.7	76.5	40.5	7	6-M5
CN MB65-60	52-60	61.0	70	70.6	65.6	84.0	32.0	7	6-M5
CN MB65-70	61-70	71.0	80	82.8	76.8	95.0	38.0	7	6-M5
CN MB65-82	71-82	83.5	95	98.0	92.0	112.0	41.0	7	6-M6
CN MB65-88	83-88	89.5	100	107.7	101.7	120.0	47.0	7	6-M6
CN MB65-100	89-100	101.0	112	112.7	106.7	130.0	47.0	7	6-M6